

E11987



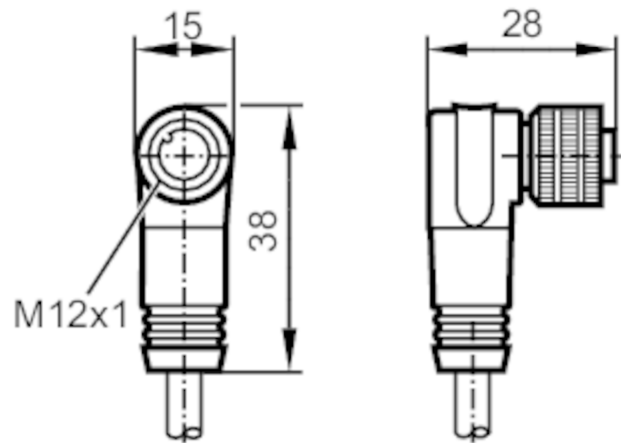
Female cordset

ADOAH050MSS0010K05

Article no longer available - archive entry

Alternative articles: EVC549

When selecting an alternative article and accessories please note that technical data may differ!



Application

System	Free from silicone; gold-plated contacts; screened cable
Free from silicone	yes

Electrical data

Operating voltage [V]	< 30 AC / < 36 DC
Protection class	III
Max. current load total [A]	4

Operating conditions

Ambient temperature [°C]	-25...90
Protection	IP 67

Mechanical data

Weight [g]	433.4
Dimensions [mm]	28 x 15 x 38
Material	PUR
Molded-body material	PUR
Material nut	brass, nickel-plated

Remarks

Pack quantity	1 pcs.
---------------	--------

E11987



Female cordset

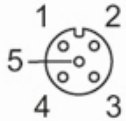
ADOAH050MSS0010K05

Electrical connection

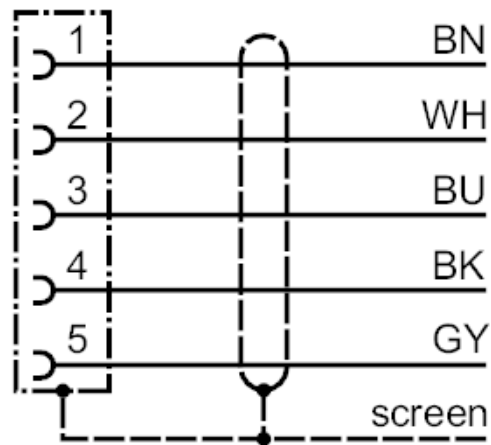
Cable: 10 m, PUR, black, Ø 5 mm, screened; 5 x 0.25 mm² (14 x Ø 0.15 mm)

Electrical connection - Socket

Connector: 1 x M12, angled; Moulded body: PUR; Locking: brass, nickel-plated; Contacts: gold-plated; Tightening torque: 1.0...1.5 Nm; Shielded connection cable: shield connected



Connection



Core colors :

BK =	black
BN =	brown
BU =	blue
GY =	grey
WH =	white