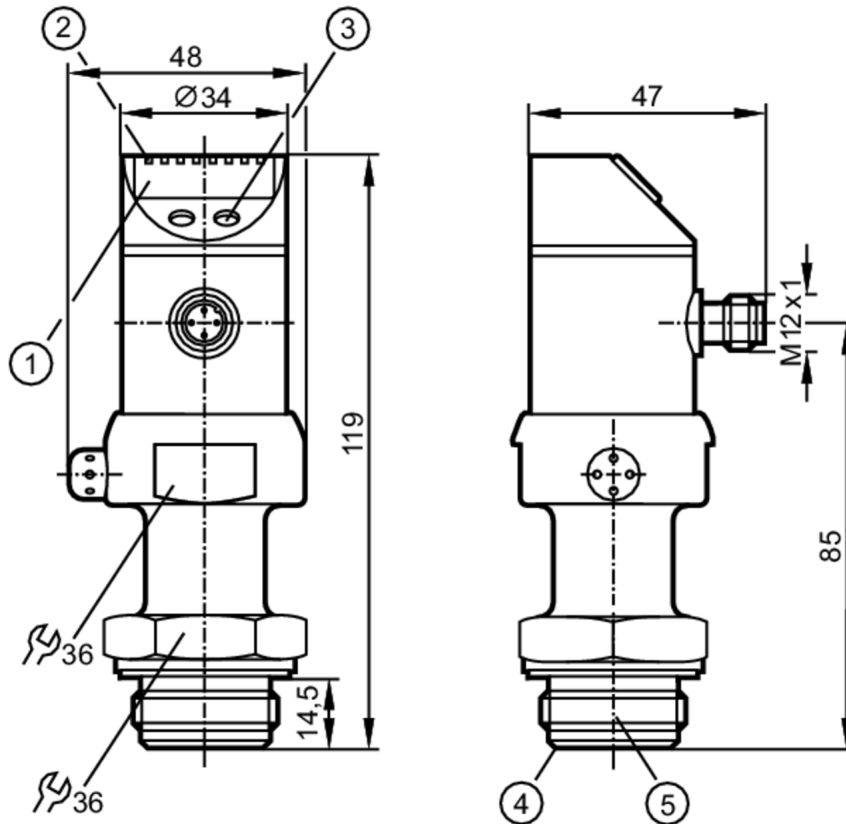


PI1094



Flush pressure sensor with display

PI-010-RES30-E-ZVG/US/ /



- 1 alphanumeric display 4-digit
- 2 status LEDs
- 3 Programming button
- 4 Aseptoflex sealing edge
- 5 Aseptoflex thread



Product characteristics

Number of inputs and outputs	Number of analog outputs: 1			
Measuring range	-1...10 bar	-14.5...145 psi	-100...1000 kPa	-0.1...1 MPa
Process connection	threaded connection Aseptoflex external thread Aseptoflex			

Application

System	gold-plated contacts		
Application	flush mountable for the food and beverage industry		
Installation	Freely rotatable housing 350°		
Media	viscous media and liquids with suspended particles; liquids and gases		
Medium temperature [°C]	-25...125; (145 max. 1h)		
Min. bursting pressure	150 bar	2175 psi	15 MPa
Pressure rating	50 bar	725 psi	5 Mpa
Type of pressure	relative pressure		
No dead space	yes		

PI1094



Flush pressure sensor with display

PI-010-RES30-E-ZVG/US/ /

Electrical data					
Operating voltage	[V]	20...32 DC			
Min. insulation resistance	[MΩ]	100; (500 V DC)			
Protection class		III			
Reverse polarity protection		yes			
Power-on delay time	[s]	0.5			
Switch-on peak current	[mA]	6			
Switch-on peak current duration	[ms]	30			
Integrated watchdog		yes			
Inputs / outputs					
Number of inputs and outputs		Number of analog outputs: 1			
Outputs					
Total number of outputs		1			
Output signal		analog signal			
Number of analog outputs		1			
Analog current output	[mA]	4...20, invertible; (scalable 1:4)			
Max. load	[Ω]	300			
Overload protection		yes			
Measuring/setting range					
Measuring range		-1...10 bar	-14.5...145 psi	-100...1000 kPa	-0.1...1 MPa
Analog start point		-1...7.25 bar	-14.5...105.1 psi		-0.1...0.725 MPa
Analog end point		1.75...10 bar	25.4...145 psi		0.175...1 MPa
In steps of		0.01 bar	0.1 psi		0.001 MPa
Factory setting			ASP = 0.00 bar		AEP = 10.00 bar
Accuracy / deviations					
Repeatability	[% of the span]	< ± 0,1; (with temperature fluctuations < 10 K; Turn down 1:1)			
Characteristics deviation	[% of the span]	< ± 0,2; (Turn down 1:1, linearity, incl. hysteresis and repeatability, limit value setting to DIN EN IEC 62828-1)			
Linearity deviation	[% of the span]	< ± 0,15; (Turn down 1:1)			
Hysteresis deviation	[% of the span]	< ± 0,15; (Turn down 1:1)			
Long-term stability	[% of the span]	< ± 0,1; (Turn down 1:1; per year)			
Temperature coefficient zero point	[% of the span / 10 K]	< ± 0,05; (0...70 °C)			
Temperature coefficient span	[% of the span / 10 K]	< ± 0,15; (0...70 °C)			
Reaction times					
Damping for the analog output dAA	[s]	0.1...100			
Max. response time analog output	[ms]	40			

PI1094



Flush pressure sensor with display

PI-010-RES30-E-ZVG/US/ /

Software / programming		
Parameter setting options	Zero point; span	
Operating conditions		
Ambient temperature [°C]	-25...80	
Storage temperature [°C]	-40...100	
Protection	IP 67; IP 69K	
Tests / approvals		
EMC	EN 61000-4-2 ESD	4 kV CD / 8 kV AD
	EN 61000-4-3 HF radiated	10 V/m
	EN 61000-4-4 Burst	2 kV
	EN 61000-4-5 Surge	0,5/1 kV
	EN 61000-4-6 HF conducted	10 V
Shock resistance	DIN IEC 68-2-27	50 g (11 ms)
Vibration resistance	DIN IEC 68-2-6	20 g (10...2000 Hz)
MTTF [years]		238
Mechanical data		
Weight [g]		403.5
Material	stainless steel (1.4404 / 316L); PC; PBT; PEI; FKM; PTFE	
Materials (wetted parts)	ceramics (99.9 % Al ₂ O ₃); stainless steel (1.4435 / 316L); surface characteristics: Ra < 0,4 / Rz 4; PTFE	
Min. pressure cycles		100 million
Process connection	threaded connection Aseptoflex external thread Aseptoflex	
Displays / operating elements		
Display	Display unit	4 x LED, green
	Function display	alphanumeric display, 4-digit
	Measured values	alphanumeric display, 4-digit
Display unit	bar; psi; MPa; % of the span	
Remarks		
Remarks	The 3-A qualification is only valid if adapters with 3-A qualification are used for installation.	
Pack quantity	1 pcs.	
Electrical connection		
Connector: 1 x M12; Contacts: gold-plated		



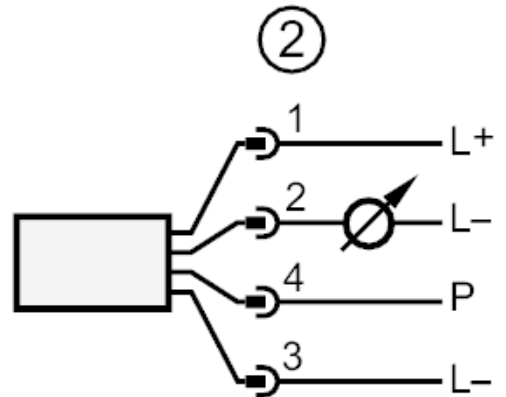
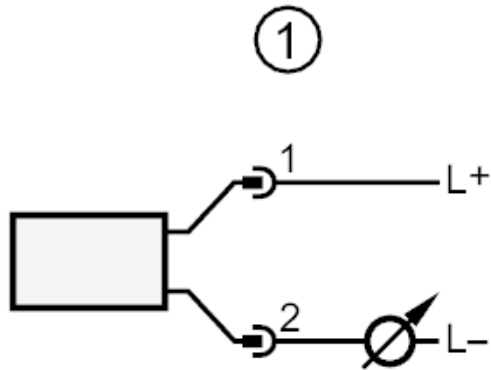
PI1094



Flush pressure sensor with display

PI-010-RES30-E-ZVG/US/ /

Connection



- 1: Normal operation
- 2: Programming operation (P = communication via EPS / FDT interface)