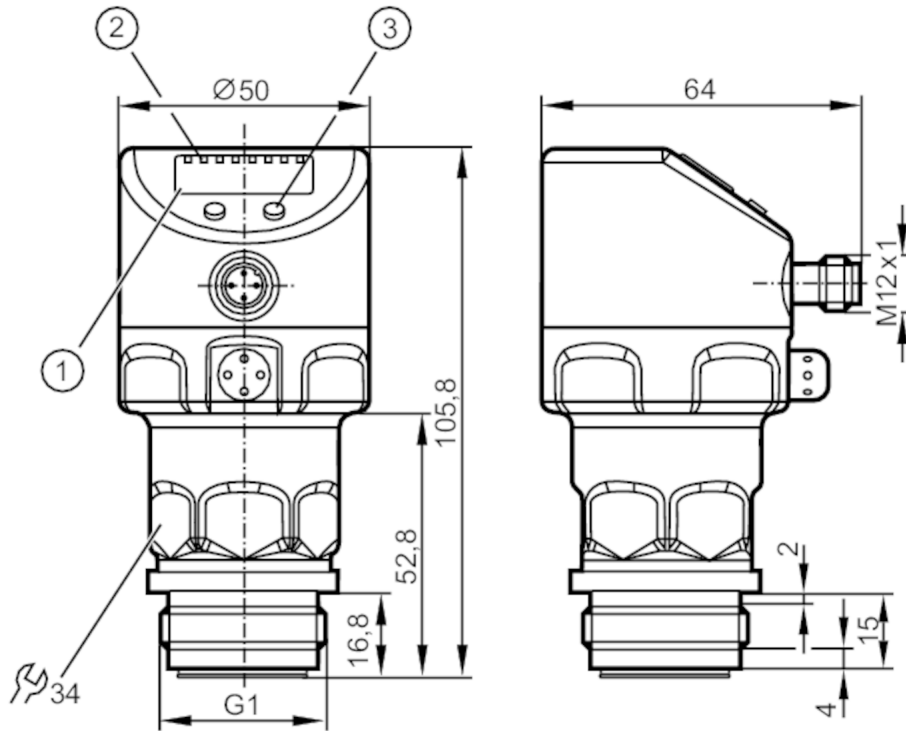


PI2795



Flush pressure sensor with display

PI-004-REA01-MFRKG/US/ IP



- 1 alphanumeric display 4-digit
- 2 status LEDs
- 3 Programming button



Product characteristics

Number of inputs and outputs	Number of digital outputs: 2; Number of analog outputs: 1		
Measuring range	-1...4 bar	-14.5...58 psi	-100...400 kPa
Process connection	threaded connection G 1 external thread Aseptoflex Vario		

Application

System	gold-plated contacts		
Application	flush mountable for the food and beverage industry		
Media	viscous media and liquids with suspended particles; liquids and gases		
Medium temperature [°C]	-25...125; (145 max. 1h)		
Min. bursting pressure	100 bar	1450 psi	10000 kPa
Pressure rating	30 bar	435 psi	3000 kPa
Vacuum resistance [mbar]	-1000		
Type of pressure	relative pressure; vacuum		
No dead space	yes		
MAWP (for applications according to CRN) [bar]	30		

PI2795



Flush pressure sensor with display

PI-004-REA01-MFRKG/US/ IP

Electrical data		
Min. insulation resistance	[MΩ]	100; (500 V DC)
Protection class		III
Reverse polarity protection		yes
Integrated watchdog		yes
2-wire		
Operating voltage	[V]	20...32 DC
Current consumption	[mA]	3.6...21
Power-on delay time	[s]	1
3-wire		
Operating voltage	[V]	18...32 DC
Current consumption	[mA]	< 45
Power-on delay time	[s]	0.5
Inputs / outputs		
Number of inputs and outputs		Number of digital outputs: 2; Number of analog outputs: 1
Outputs		
Total number of outputs		2
Output signal		switching signal; analog signal; IO-Link; (configurable)
Electrical design		PNP/NPN
Number of digital outputs		2
Output function		normally open / closed; (configurable)
Number of analog outputs		1
Analog current output	[mA]	4...20, invertible; (scalable)
Short-circuit protection		yes
Type of short-circuit protection		yes (non-latching)
Overload protection		yes
2-wire		
Max. load	[Ω]	300
3-wire		
Max. voltage drop switching output DC	[V]	2
Permanent current rating of switching output DC	[mA]	250
Switching frequency DC	[Hz]	125
Max. load	[Ω]	(U _b - 10 V) / 20 mA

PI2795



Flush pressure sensor with display

PI-004-REA01-MFRKG/US/ IP

Measuring/setting range			
Measuring range	-1...4 bar	-14.5...58 psi	-100...400 kPa
Set point SP	-0.99...4 bar	-14.35...58 psi	-99...400 kPa
Reset point rP	-1...3.99 bar	-14.5...57.85 psi	-100...399 kPa
Analog start point	-1...3 bar	-14.5...43.5 psi	-100...300 kPa
Analog end point	0...4 bar	0...58 psi	0...400 kPa
In steps of	0.005 bar	0.05 psi	0.5 kPa
Factory setting		SP1 = 1.000 bar	rP1 = 0.920 bar
		SP2 = 3.000 bar	rP2 = 2.920 bar
		ASP = 0.000 bar	AEP = 4.000 bar
Accuracy / deviations			
Switch point accuracy [% of the span]	< ± 0,2; (Turn down 1:1)		
Repeatability [% of the span]	< ± 0,1; (with temperature fluctuations < 10 K; Turn down 1:1)		
Characteristics deviation [% of the span]	< ± 0,2; (Turn down 1:1 , linearity, incl. hysteresis and repeatability , limit value setting to DIN EN IEC 62828-1)		
Linearity deviation [% of the span]	< ± 0,15; (Turn down 1:1)		
Hysteresis deviation [% of the span]	< ± 0,15; (Turn down 1:1)		
Long-term stability [% of the span]	< ± 0,1; (Turn down 1:1; per year)		
Temperature coefficient zero point [% of the span / 10 K]	< ± 0,05; (0...70 °C)		
Temperature coefficient span [% of the span / 10 K]	< ± 0,15; (0...70 °C)		
Reaction times			
Damping for the switching output dAP [s]	0...30		
Damping for the analog output dAA [s]	0.01...99.99		
2-wire			
Step response time analog output [ms]	45		
3-wire			
Min. response time of switching output (dAP) [ms]	3		
Step response time analog output [ms]	7		

PI2795



Flush pressure sensor with display

PI-004-REA01-MFRKG/US/ IP

Interfaces		
Communication interface	IO-Link	
Transmission type	COM2 (38,4 kBaud)	
IO-Link revision	1.0	
Profiles	no profile	
SIO mode	yes	
Required master port class	A	
Process data analog	1	
Process data binary	2	
Min. process cycle time [ms]	2.3	
Supported DeviceIDs	Type of operation	DeviceID
	default	158

Operating conditions		
Ambient temperature [°C]	-25...80	
Storage temperature [°C]	-40...100	
Protection	IP 67; IP 68; IP 69K	

Tests / approvals		
EMC	EN 61000-4-2 ESD	4 kV CD / 8 kV AD
	EN 61000-4-3 HF radiated	10 V/m
	EN 61000-4-4 Burst	2 kV
	EN 61000-4-5 Surge	0,5/1 kV
	EN 61000-4-6 HF conducted	10 V
Shock resistance	DIN IEC 68-2-27	50 g (11 ms)
Vibration resistance	DIN IEC 68-2-6	20 g (10...2000 Hz)
MTTF [years]	160	
Note on approval	Factory certificate available as download at www.factory-certificate.ifm	

Mechanical data		
Weight [g]	358.5	
Material	stainless steel (1.4404 / 316L); FKM; PTFE; PBT; PEI; PFA	
Materials (wetted parts)	ceramics (99.9 % Al2O3); stainless steel (1.4435 / 316L); surface characteristics: Ra < 0,4 / Rz 4; PTFE	
Min. pressure cycles	100 million	
Process connection	threaded connection G 1 external thread Aseptoflex Vario	

Displays / operating elements		
Display	Display unit	LED, green
	Switching status	LED, yellow
	Function display	alphanumeric display, 4-digit
	Measured values	alphanumeric display, 4-digit
Display unit	bar; psi; kPa; % of the span	

Remarks		
Pack quantity	1 pcs.	

Electrical connection		
Connector: 1 x M12; Contacts: gold-plated		

PI2795

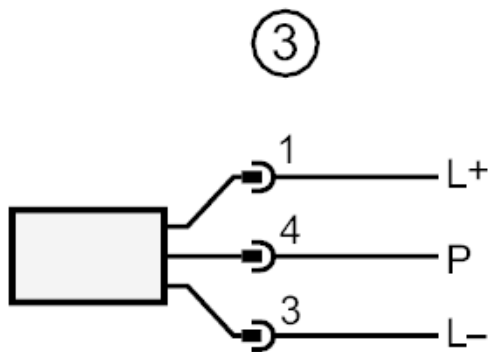
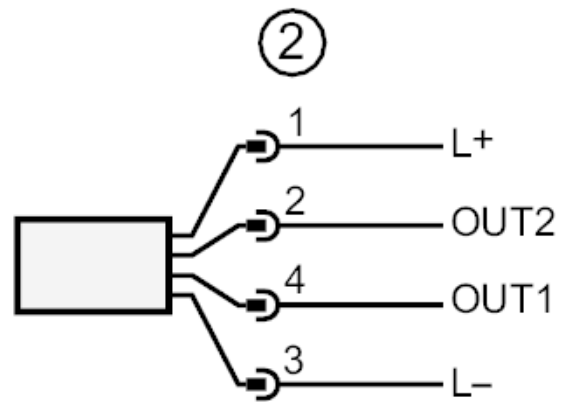
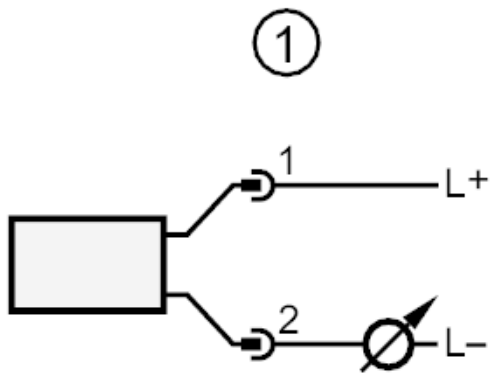


Flush pressure sensor with display

PI-004-REA01-MFRKG/US/ IP



Connection



- 1 connection for 2-wire operation
- 2 connection for 3-wire operation :
- OUT1 Switching output
- OUT2 Switching output
- analog output
- 3 connection for IO-Link parameter setting (P = communication via IO-Link)