

PN2094



Pressure sensor with display

PN-010-RER14-MFRKG/US/ IV



- 1 alphanumeric display 4-digit red/green
- 2 LEDs Display unit / Switching status
- 3 Programming button
- 4 upper part of the housing can be rotated 345°



Product characteristics

Number of inputs and outputs	Number of digital outputs: 2; Number of analog outputs: 1		
Measuring range	-1...10 bar	-14.6...145 psi	-0.1...1 MPa
Process connection	threaded connection G 1/4 Internal thread (DIN EN ISO 1179-2)		

Application

System	gold-plated contacts		
Measuring element	ceramic-capacitive pressure measuring cell		
Application	for industrial applications		
Media	liquids and gases		
Medium temperature [°C]	-25...80		
Min. bursting pressure	150 bar	2175 psi	15 MPa
Pressure rating	75 bar	1087 psi	7.5 Mpa
Vacuum resistance [mbar]	-1000		
Type of pressure	relative pressure; vacuum		

PN2094



Pressure sensor with display

PN-010-RER14-MFRKG/US/ IV

Electrical data				
Operating voltage	[V]	18...30 DC; (to SELV/PELV)		
Current consumption	[mA]	< 35		
Min. insulation resistance	[MΩ]	100; (500 V DC)		
Protection class		III		
Reverse polarity protection		yes		
Power-on delay time	[s]	0.3		
Integrated watchdog		yes		
Inputs / outputs				
Number of inputs and outputs		Number of digital outputs: 2; Number of analog outputs: 1		
Outputs				
Total number of outputs		2		
Output signal		switching signal; analog signal; IO-Link; (configurable)		
Electrical design		PNP/NPN		
Number of digital outputs		2		
Output function		normally open / closed; (configurable)		
Max. voltage drop switching output DC	[V]	2		
Permanent current rating of switching output DC	[mA]	250		
Switching frequency DC	[Hz]	< 500		
Number of analog outputs		1		
Analog current output	[mA]	4...20; (scalable 1:5)		
Max. load	[Ω]	500		
Analog voltage output	[V]	0...10; (scalable 1:5)		
Min. load resistance	[Ω]	2000		
Short-circuit protection		yes		
Type of short-circuit protection		yes (non-latching)		
Overload protection		yes		
Measuring/setting range				
Measuring range		-1...10 bar	-14.6...145 psi	-0.1...1 MPa
Analog start point		-1...8 bar	-14.6...116 psi	-0.1...0.8 MPa
Analog end point		1...10 bar	14.6...145 psi	0.1...1 MPa
Factory setting / CMPT = 2				
Set point SP		-0.94...10 bar	-13.6...145 psi	-0.094...1 MPa
Reset point rP		-0.98...9.96 bar	-14.2...144.4 psi	-0.098...0.996 MPa
Min. difference between SP and rP		0.06 bar	0.6 psi	0.006 MPa
In steps of		0.02 bar	0.2 psi	0.002 MPa
Status_B High Resolution / CMPT = 3				
Set point SP		-0.94...10 bar	-13.6...145 psi	-0.094...1 MPa
Reset point rP		-0.98...9.96 bar	-14.2...144.4 psi	-0.098...0.996 MPa
Min. difference between SP and rP		0.05 bar	0.6 psi	0.005 MPa
In steps of		0.01 bar	0.1 psi	0.001 MPa



Pressure sensor with display

PN-010-RER14-MFRKG/US/ IV

Accuracy / deviations		
Notes on the accuracy / deviation	switch point accuracy, linearity error under DNV GL: $\lt; \pm 1\%$: $\lt; \pm 1\%$	
Switch point accuracy [% of the span]	$\lt; \pm 0,4$; (Turn down 1:1)	
Repeatability [% of the span]	$\lt; \pm 0,1$; (with temperature fluctuations $\lt; 10\text{ K}$; Turn down 1:1)	
Characteristics deviation [% of the span]	$\lt; \pm 0,25$ (BFSL) / $\lt; \pm 0,5$ (LS); (Turn down 1:1; BFSL = Best Fit Straight Line; LS = limit value setting)	
Hysteresis deviation [% of the span]	$\lt; \pm 0,1$; (Turn down 1:1)	
Long-term stability [% of the span]	$\lt; \pm 0,05$; (Turn down 1:1; per 6 months)	
Temperature coefficient zero point [% of the span / 10 K]	$\lt; \pm 0,2$; (-0...80 °C)	
Temperature coefficient span [% of the span / 10 K]	$\lt; \pm 0,2$; (-0...80 °C)	
Reaction times		
Response time [ms]	$\lt; 1.5$	
Delay time programmable dS, dr [s]	0...50	
Damping for the switching output dAP [s]	0...4	
Damping for the analog output dAA [s]	0...4	
Max. response time analog output [ms]	3	
Software / programming		
Parameter setting options	hysteresis / window; normally open / closed; switch-on/ switch-off delay; Damping; Display unit; current/voltage output	
Interfaces		
Communication interface	IO-Link	
Transmission type	COM2 (38,4 kBaud)	
IO-Link revision	1.1	
SDCI standard	IEC 61131-9	
SIO mode	yes	
Required master port class	A; (wenn PIN 2 nicht verbunden: B)	
Supported DeviceIDs	Type of operation	DeviceID
	Factory setting / CMPT = 2	463
	Status_B High Resolution / CMPT = 3	974
Note	For further information please see the IODD PDF file at "Downloads"	

PN2094



Pressure sensor with display

PN-010-RER14-MFRKG/US/ IV

Factory setting / CMPT = 2		
Profiles	Smart Sensor: Process Data Variable; Device Identification, Device Diagnosis	
Min. process cycle time [ms]	2.3	
IO-Link resolution pressure [bar]	0.01	
IO-Link process data (cyclical)	Function	bit length
	pressure	14
	binary switching information	2
IO-Link functions (acyclical)	application specific tag	
Status_B High Resolution / CMPT = 3		
Profiles	Smart Sensor ED2: Digital Measuring Sensor (0x000A), Identification and Diagnosis (0x4000)	
Min. process cycle time [ms]	3	
IO-Link resolution pressure [bar]	0.005	
IO-Link process data (cyclical)	Function	bit length
	pressure	16
	device status	4
	binary switching information	2
IO-Link functions (acyclical)	application specific tag	
Operating conditions		
Ambient temperature [°C]	-25...80	
Storage temperature [°C]	-40...100	
Protection	IP 65; IP 67	
Tests / approvals		
EMC	DIN EN 61000-6-2	
	DIN EN 61000-6-3	
Shock resistance	DIN EN 60068-2-27	50 g (11 ms)
Vibration resistance	DIN EN 60068-2-6	20 g (10...2000 Hz)
MTTF [years]	138	
UL approval	UL approval number	J012
Pressure equipment directive	sound engineering practice; can be used for group 2 fluids; group 1 fluids on request	
Mechanical data		
Weight [g]	239	
Material	stainless steel (1.4404 / 316L); PBT+PC-GF30; PBT-GF20; PC	
Materials (wetted parts)	stainless steel (1.4404 / 316L); Al2O3 (ceramics); FKM	
Min. pressure cycles	100 million	
Tightening torque [Nm]	25...35; (recommended tightening torque; Depends on lubrication, seal and pressure rating)	
Process connection	threaded connection G 1/4 Internal thread (DIN EN ISO 1179-2)	
Restrictor element integrated	no (can be retrofitted)	
Displays / operating elements		
Display	Display unit	3 x LED, green (bar, psi, MPa)
	Switching status	2 x LED, yellow
	Measured values	alphanumeric display, red/green 4-digit
Remarks		
Pack quantity	1 pcs.	

PN2094



Pressure sensor with display

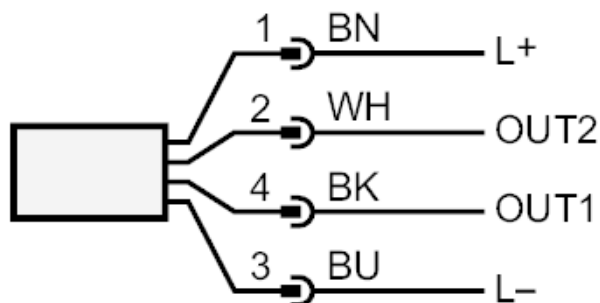
PN-010-RER14-MFRKG/US/ IV

Electrical connection

Connector: 1 x M12; Contacts: gold-plated



Connection



OUT1	Switching output IO-Link
OUT2	Switching output analog output
	Core colors :
BK =	black
BN =	brown
BU =	blue
WH =	white