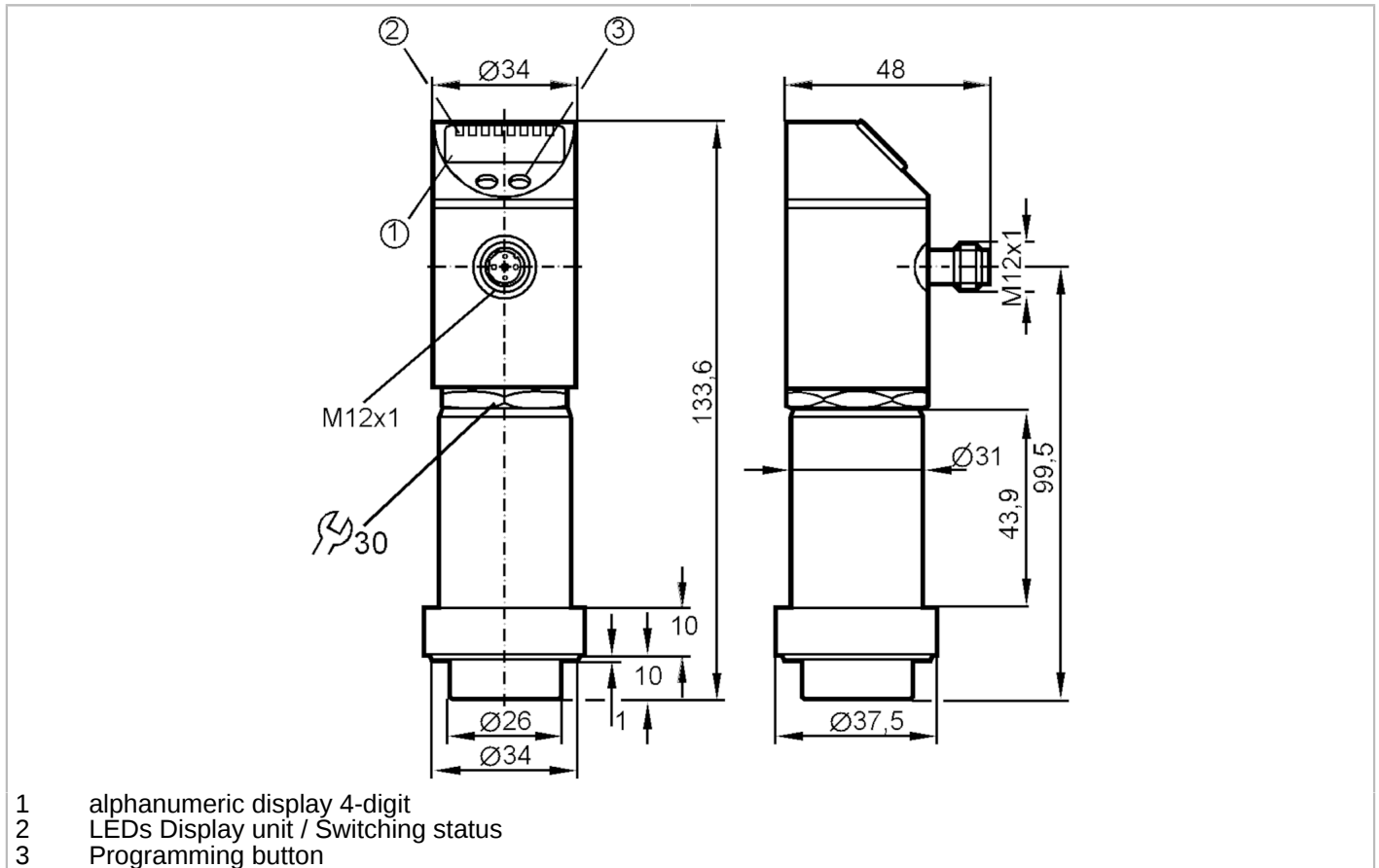


PY9000



Pressure sensor with display

PY-600-SE MFRKG/US/ IV



CE EAC EC 1935/2004 FDA

Product characteristics	
Number of inputs and outputs	Number of digital outputs: 2; Number of analog outputs: 1
Measuring range [bar]	0...600
Process connection	homogenizer connection
Application	
System	gold-plated contacts
Application	flush mountable for the food and beverage industry
Media	liquids and gases
Conditionally suitable for	For gaseous media the application is limited to max. 25 bar.
Medium temperature [°C]	-25...100; (145 max 1h)
Min. bursting pressure [bar]	1200
Pressure rating [bar]	800
Type of pressure	relative pressure

PY9000



Pressure sensor with display

PY-600-SE MFRKG/US/ IV

Electrical data	
Operating voltage [V]	20...30 DC
Current consumption [mA]	< 65
Min. insulation resistance [MΩ]	100; (500 V DC)
Protection class	III
Reverse polarity protection	yes
Power-on delay time [s]	0.3
Integrated watchdog	yes
Inputs / outputs	
Number of inputs and outputs	Number of digital outputs: 2; Number of analog outputs: 1
Outputs	
Total number of outputs	2
Output signal	switching signal; analog signal; (configurable)
Electrical design	PNP/NPN
Number of digital outputs	2
Output function	normally open / closed; (configurable)
Max. voltage drop switching output DC [V]	2
Permanent current rating of switching output DC [mA]	250
Switching frequency DC [Hz]	< 170
Number of analog outputs	1
Analog current output [mA]	4...20; (scalable 1:4)
Max. load [Ω]	(U _b - 10 V) / 20 mA
Analog voltage output [V]	0...10; (scalable 1:4)
Min. load resistance [Ω]	2000
Short-circuit protection	yes
Type of short-circuit protection	yes (non-latching)
Overload protection	yes
Measuring/setting range	
Measuring range [bar]	0...600
Set point SP [bar]	6...600
Reset point rP [bar]	3...597
Analog start point [bar]	0...240
Analog end point [bar]	150...600
In steps of [bar]	3
Accuracy / deviations	
Switch point accuracy [% of the span]	< ± 1,0; (Turn down 1:1)
Repeatability [% of the span]	< ± 0,25; (with temperature fluctuations < 10 K; Turn down 1:1)
Characteristics deviation [% of the span]	< ± 1,0; (Turn down 1:1, linearity, incl. hysteresis and repeatability, limit value setting to DIN EN IEC 62828-1)
Linearity deviation	< ± 0,5; (Turn down 1:1)

PY9000



Pressure sensor with display

PY-600-SE MFRKG/US/ IV

	[% of the span]	
Hysteresis deviation	[% of the span]	< ± 1,0; (Turn down 1:1)
Long-term stability	[% of the span]	< ± 0,25; (Turn down 1:1; per year)
Temperature coefficient zero point	[% of the span / 10 K]	< ± 0,2; (0...80 °C)
Temperature coefficient span	[% of the span / 10 K]	< ± 0,2; (0...80 °C)

Reaction times		
Response time	[ms]	< 3
Damping for the switching output dAP	[s]	0...4
Damping for the analog output dAA in steps	[s]	0 - 0; 1 - 0; 5 - 2
Max. response time analog output	[ms]	3

Software / programming	
Parameter setting options	hysteresis / window; normally open / closed; switching logic; current/ voltage output; Damping; adaptation of displayed values; display can be rotated and switched off; Display unit; Zero point; span

Operating conditions		
Ambient temperature	[°C]	-25...80
Storage temperature	[°C]	-40...100
Protection		IP 67

Tests / approvals		
EMC	EN 61000-4-2 ESD	4 kV CD / 8 kV AD
	EN 61000-4-3 HF radiated	10 V/m
	EN 61000-4-4 Burst	2 kV
	EN 61000-4-5 Surge	0,5/1 kV
	EN 61000-4-6 HF conducted	10 V
Shock resistance	DIN EN 60068-2-27	50 g (11 ms)
Vibration resistance	DIN EN 60068-2-6	20 g (10...2000 Hz)
MTTF	[years]	145

Mechanical data		
Weight	[g]	384
Material		stainless steel (1.4301 / 304); stainless steel (1.4404 / 316L); PC; PBT; PA; FKM; EPDM/X
Materials (wetted parts)		stainless steel (1.4404 / 316L); ceramics (99.9 % Al ₂ O ₃); FKM
Min. pressure cycles		50 million
Process connection		homogenizer connection

Displays / operating elements		
Display	Display unit	3 x LED, green
	Switching status	2 x LED, yellow
	Function display	alphanumeric display, 4-digit
	Measured values	alphanumeric display, 4-digit
Display unit		bar; psi; MPa

PY9000



Pressure sensor with display

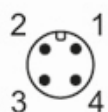
PY-600-SE MFRKG/US/ IV

Remarks

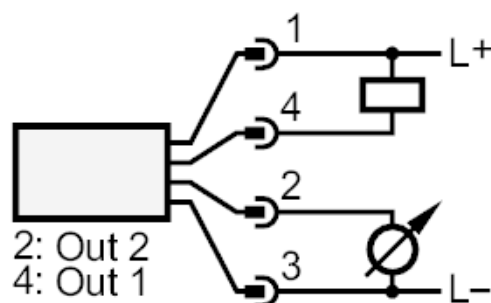
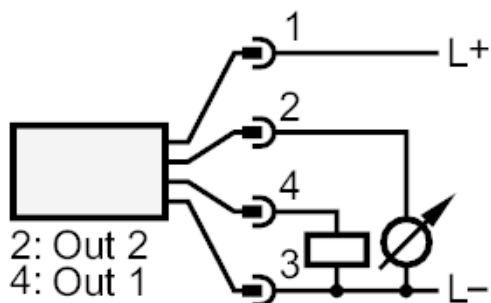
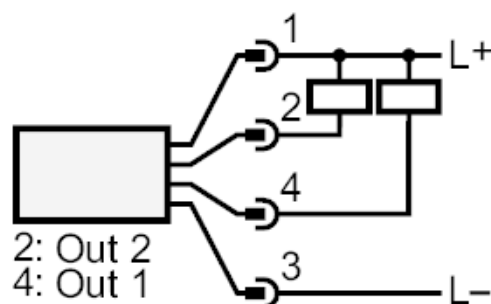
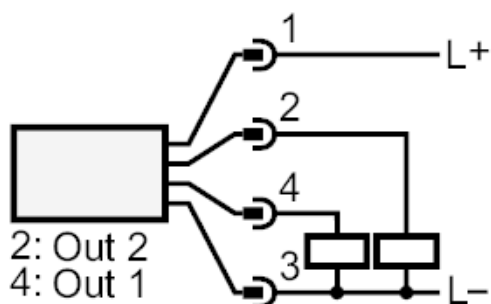
Pack quantity 1 pcs.

Electrical connection

Connector: 1 x M12; Contacts: gold-plated



Connection



- OUT1 Switching output
- OUT2 Switching output
- analog output