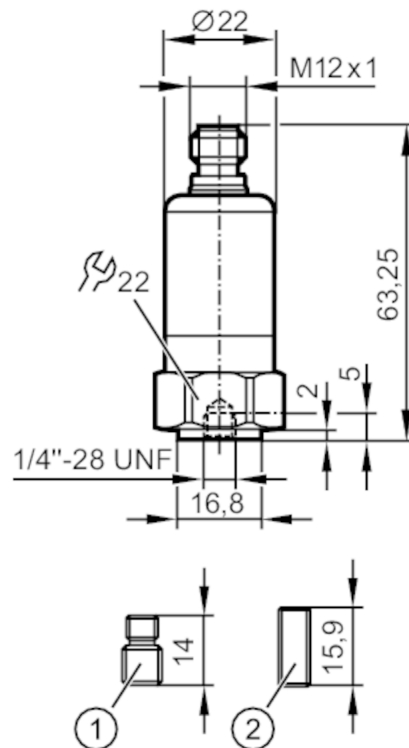


VTV122



Vibration transmitter

VIBRATION TRANSMITTER



- 1 set screw 1/4"-28 UNF / M8 x 1.25 mm
 2 set screw 1/4"-28 UNF
 Tightening torque 8 Nm



Product characteristics

Measuring range of vibration [mm/s]	0...25; (RMS)
Frequency range [Hz]	10...1000

Application

Application	Vibration transmitter to ISO 10816
-------------	------------------------------------

Electrical data

Operating voltage [V]	9.6...32 DC
Protection class	III
Type of sensor	Microelectromechanical system (MEMS)

Inputs / outputs

Total number of inputs and outputs	1
------------------------------------	---

Outputs


Analog current output [mA]	4...20
Max. load [Ω]	< (U _b - 9,6 V) x 50; U _b = 24 V: 720

VTV122



Vibration transmitter

VIBRATION TRANSMITTER

Measuring/setting range		
Measuring range of vibration [mm/s]	0...25; (RMS)	
Frequency range [Hz]	10...1000	
Number of measurement axes	1	
Accuracy / deviations		
Measuring error [% of the final value]	< ± 3	
Repeatability	< 0,5; (% of the final value)	
Linearity deviation	0,25 %	
Operating conditions		
Ambient temperature [°C]	-30...125	
Note on ambient temperature	UL application: < 80 °C	
Storage temperature [°C]	-30...125	
Protection	IP 67; IP 68; IP 69K	
Tests / approvals		
EMC	EN 61000-4-2 ESD	4 kV CD / 8 kV AD
	EN 61000-4-3 HF radiated	10 V/m
	EN 61000-4-4 Burst	2 kV
	EN 61000-4-5 Surge	1 kV
	EN 61000-4-6 HF conducted	10 V
Shock resistance	400 g	
MTTF [years]	868	
Mechanical data		
Weight [g]	123.5	
Type of mounting	set screw	
Material	stainless steel (1.4404 / 316L)	
Tightening torque [Nm]	8	
Accessories		
Items supplied	set screw: 1 x 1/4"-28 UNF / M8 x 1,25 mm set screw: 1 x 1/4"-28 UNF	
Remarks		
Pack quantity	1 pcs.	
Electrical connection		
Connector: 1 x M12; coding: A		
		

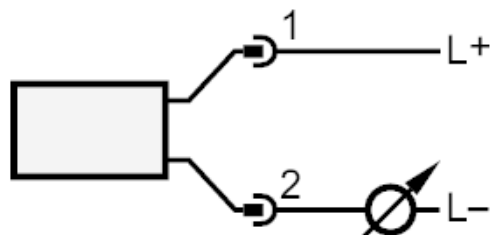
VTV122



Vibration transmitter

VIBRATION TRANSMITTER

Connection



1	L+
2	4...20 mA