

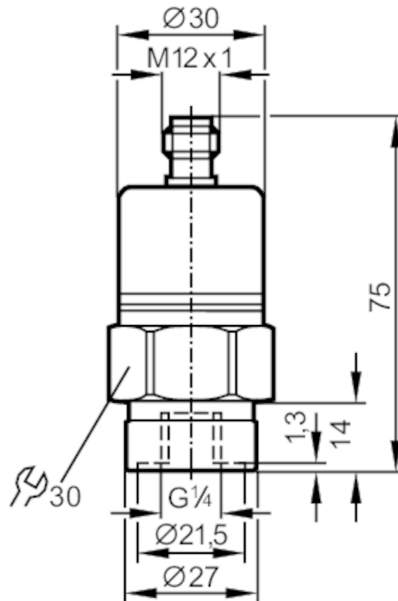
PA3024



Pressure transmitter with ceramic measuring cell

PA-010-RBR14-A-ZVG/US/ IV

When selecting an alternative article and accessories please note that technical data may differ!



Product characteristics

| | | | | |
|------------------------------|---|-------------|--------------|-----------|
| Number of inputs and outputs | Number of analogue outputs: 1 | | | |
| Measuring range | 0...10 bar | 0...145 psi | 0...1000 kPa | 0...1 MPa |
| Process connection | threaded connection G 1/4 internal thread | | | |

Application

| | | | |
|-------------------------|-------------------------------------|----------|---------|
| Special feature | Gold-plated contacts | | |
| Application | for industrial applications | | |
| Media | liquids and gases | | |
| Medium temperature [°C] | -25...90; (on request: -40...90 °C) | | |
| Min. bursting pressure | 150 bar | 2175 psi | 15 MPa |
| Pressure rating | 75 bar | 1088 psi | 7.5 MPa |
| Type of pressure | relative pressure | | |

Electrical data

| | |
|---------------------------------|-----------------|
| Operating voltage [V] | 9.6...32 DC |
| Min. insulation resistance [MΩ] | 100; (500 V DC) |
| Protection class | III |
| Reverse polarity protection | yes |

Inputs / outputs

| | |
|------------------------------|-------------------------------|
| Number of inputs and outputs | Number of analogue outputs: 1 |
|------------------------------|-------------------------------|

Outputs

| | |
|----------------------------|-----------------|
| Total number of outputs | 1 |
| Output signal | analogue signal |
| Number of analogue outputs | 1 |

PA3024



Pressure transmitter with ceramic measuring cell

PA-010-RBR14-A-ZVG/US/ IV

| | | |
|-------------------------|------|--|
| Analogue current output | [mA] | 4...20 |
| Max. load | [Ω] | 720; (U _b = 24 V; (U _b - 9,6 V) / 20 mA) |
| Overload protection | | yes |

Measuring/setting range

| | | | | |
|-----------------|------------|-------------|--------------|-----------|
| Measuring range | 0...10 bar | 0...145 psi | 0...1000 kPa | 0...1 MPa |
|-----------------|------------|-------------|--------------|-----------|

Accuracy / deviations

| | | |
|------------------------------------|------------------------|---|
| Repeatability | [% of the span] | < 0,1; (with temperature fluctuations < 10 K) |
| Characteristics deviation | [% of the span] | < ± 0,25 (BFSL) / < ± 0,5 (LS); (BFSL = Best Fit Straight Line; LS = limit value setting) |
| Long-term stability | [% of the span] | < ± 0,05; (per 6 months) |
| Temperature coefficient zero point | [% of the span / 10 K] | 0,1; (0...80 °C) |
| Temperature coefficient span | [% of the span / 10 K] | 0,2; (0...80 °C) |

Response times

| | | |
|------------------------------------|------|---|
| Step response time analogue output | [ms] | 3 |
|------------------------------------|------|---|

Operating conditions

| | | |
|---------------------|------|-----------|
| Ambient temperature | [°C] | -25...80 |
| Storage temperature | [°C] | -40...100 |
| Protection | | IP 65 |

Tests / approvals

| | | | |
|------------------------------|---|---|---------------------|
| EMC | EN 61000-4-2 ESD | 4 kV CD / 8 kV AD | |
| | EN 61000-4-3 HF radiated | 30 V/m | |
| | EN 61000-4-4 Burst | 2 kV | |
| | EN 61000-4-6 HF conducted radiation of interference | 10 V according to the automotive directive 2004/104/EC | |
| | CISPR 25 immunity | according to the automotive directive 2004/104/EC | |
| | ISO 11452-2 HF radiated | 100 V/m | |
| | ISO 7637-2 pulse | severity level 4 | |
| | Shock resistance | DIN EN 60068-2-27 | 50 g (11 ms) |
| | | DIN EN 61373 | category 3 |
| | Vibration resistance | DIN EN 60068-2-6 | 20 g (10...2000 Hz) |
| DIN EN 61373 | | category 2 | |
| MTTF | [years] | 506 | |
| Pressure Equipment Directive | | Sound engineering practice; can be used for group 2 fluids; group 1 fluids on request | |
| Railway applications | DIN EN 50155 / IEC 60571 | Klasse T3, C1, S1 | |

Mechanical data

| | | |
|--------------------------|-----|--|
| Weight | [g] | 226 |
| Materials | | stainless steel (1.4404 / 316L); FKM; PA; EPDM/X |
| Materials (wetted parts) | | stainless steel (1.4305 / 303); ceramics; FKM |
| Min. pressure cycles | | 100 million |

PA3024



Pressure transmitter with ceramic measuring cell

PA-010-RBR14-A-ZVG/US/ IV

| | |
|-------------------------------|---|
| Process connection | threaded connection G 1/4 internal thread |
| Restrictor element integrated | no (can be retrofitted) |

Remarks

| | |
|---------------|--------|
| Pack quantity | 1 pcs. |
|---------------|--------|

Electrical connection

Connector: 1 x M12; coding: A; Contacts: gold-plated



Connection

